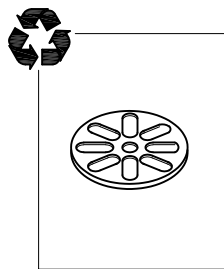
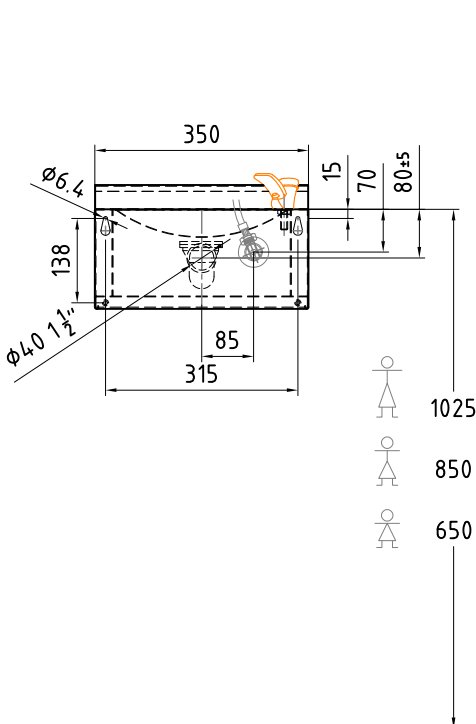
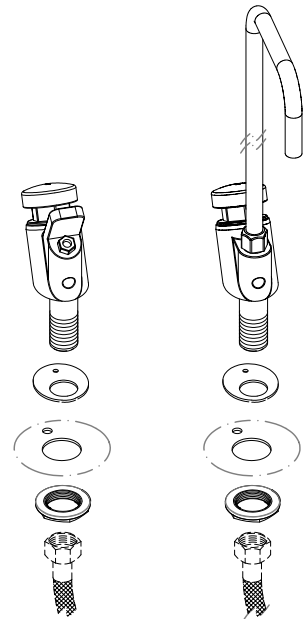
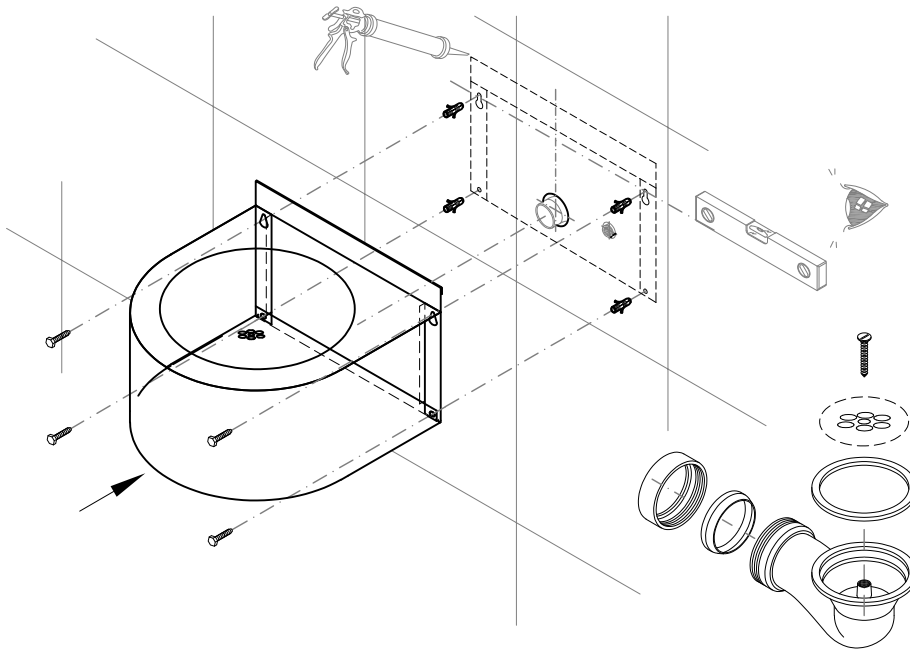
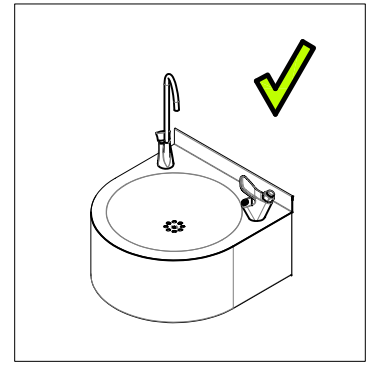
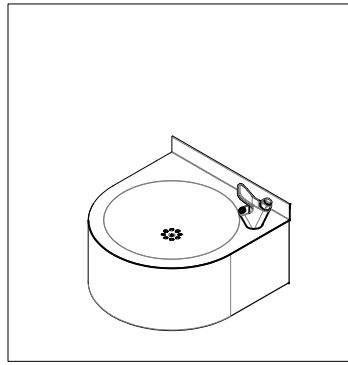
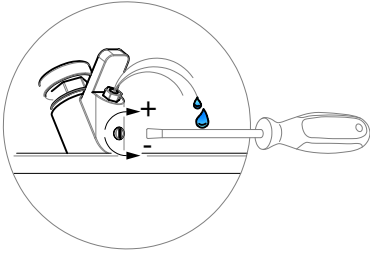


Trinkbrunnen

Ref. ASA-SLUN 14SN

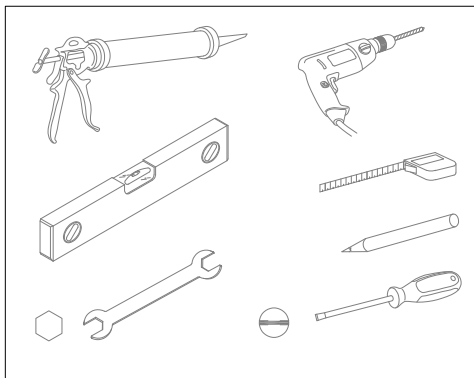
ARMATRON
MODERNE WASCHRAUM-HYGIENE



Siphon
1 1/2" x $\phi 40$

Bubbler
3/8"

Bottle Filler
3/8"



	1x	✓
3/8"	FO-004	1x ✓
3/8"	FO-005	1x ✓
1 1/2" x $\phi 40$		1x ✓
$\phi 5.8 \times 50$		4x ✓
$\phi 8 \times 40$		
		0x ✗

MOUNTING INSTRUCTIONS (EN)