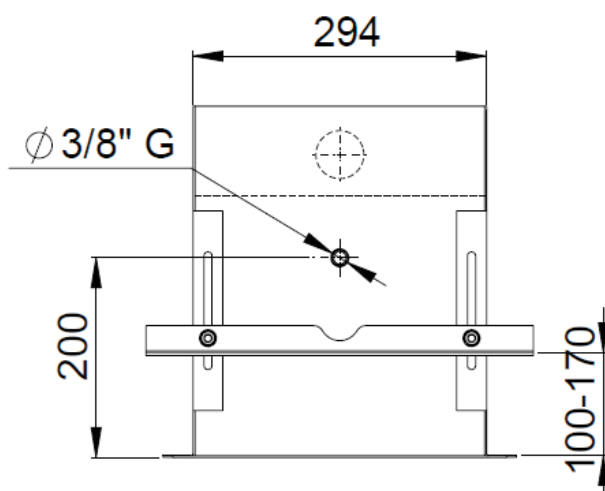
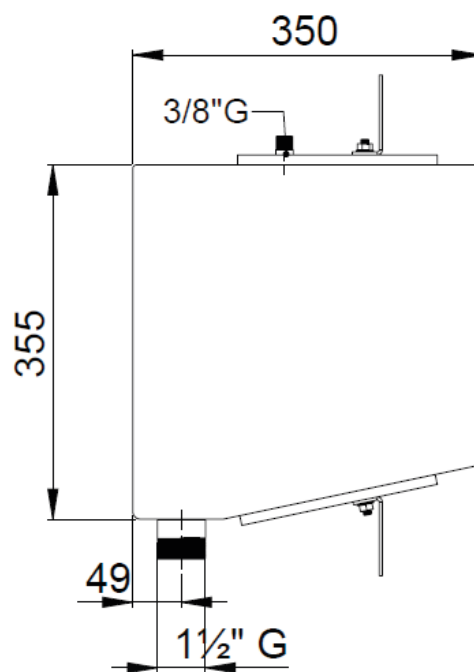
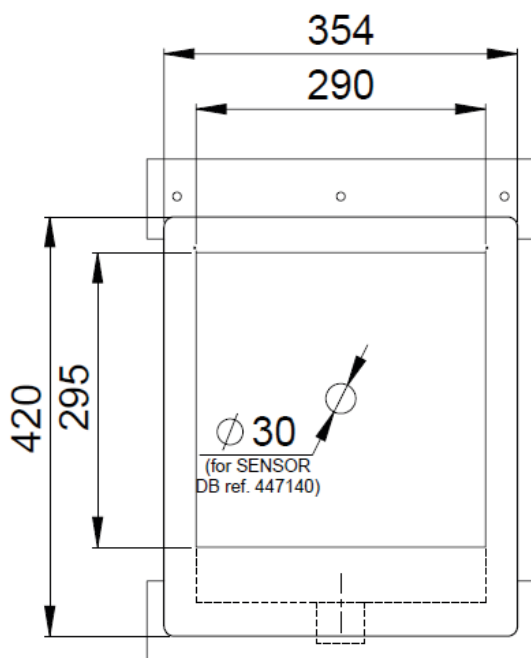
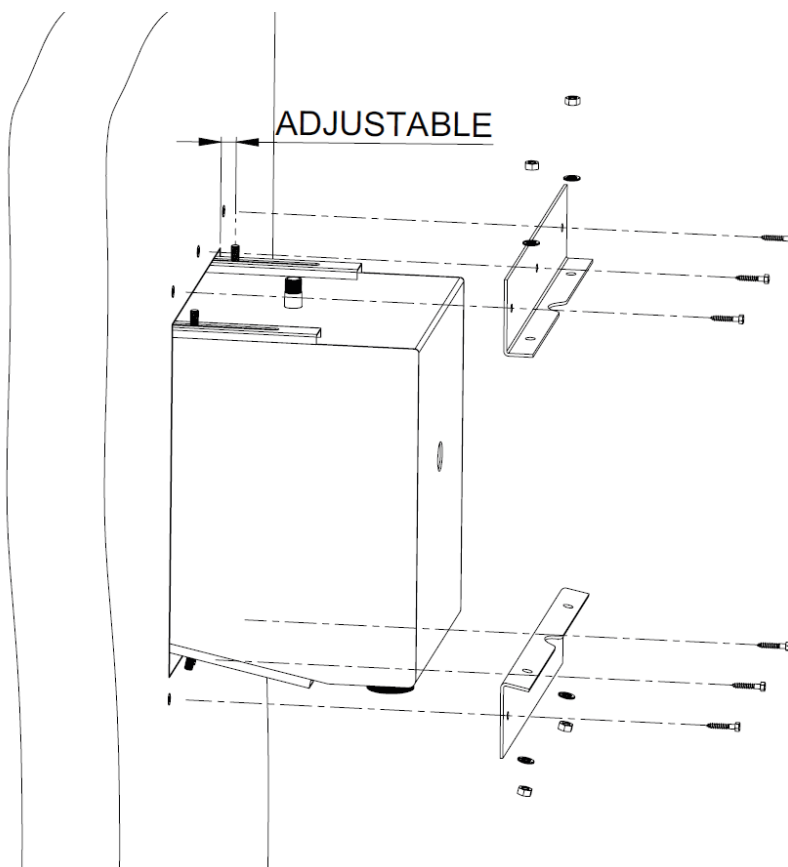
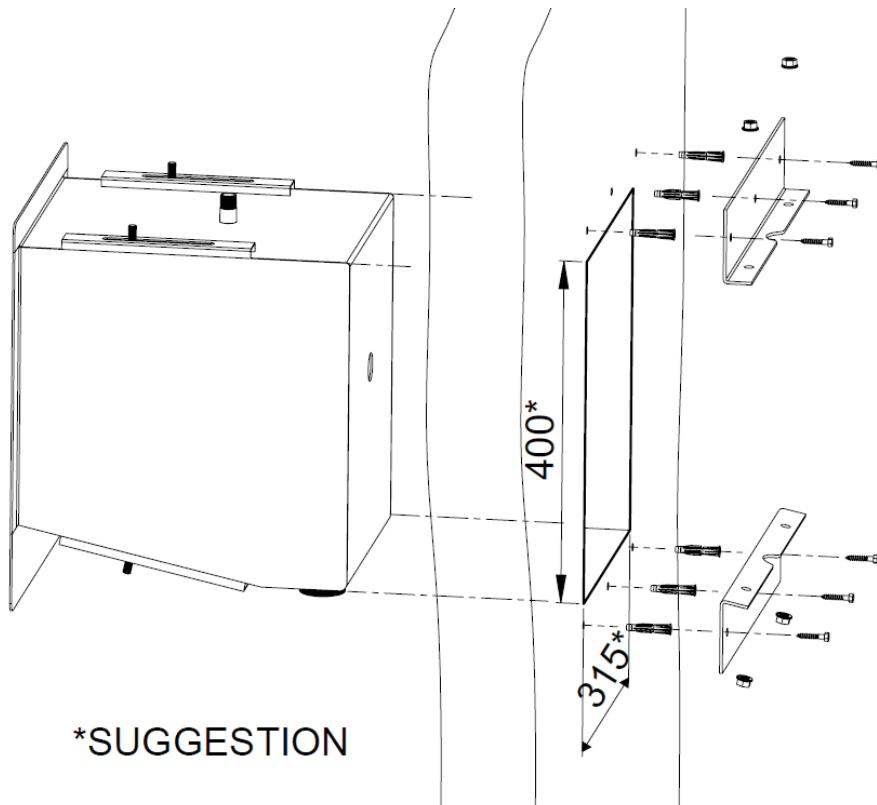


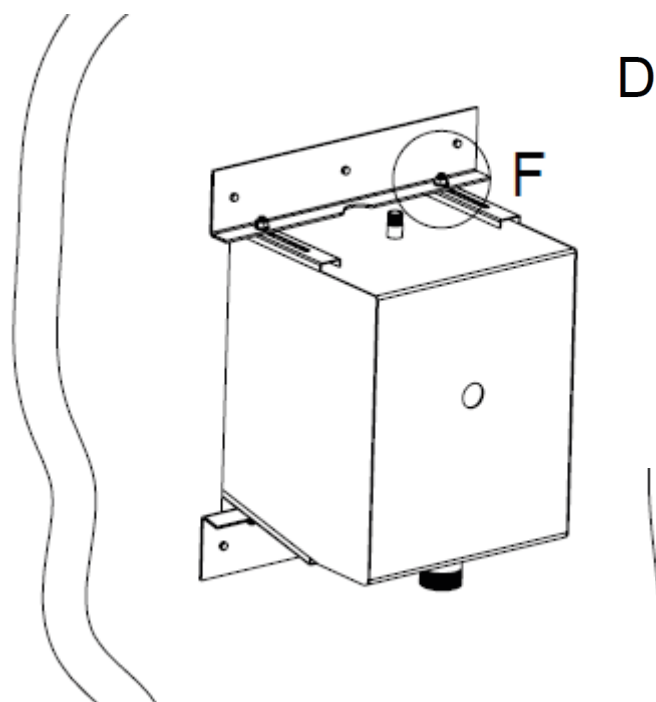
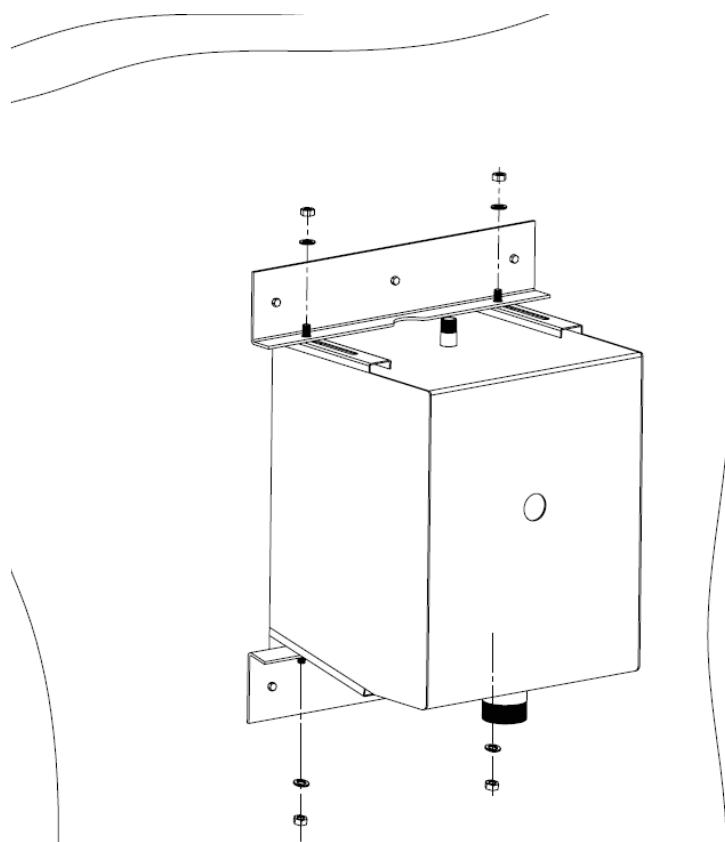
Handwaschbecken COMMISSARIAT

Artikelnummer: ADL-160330.2

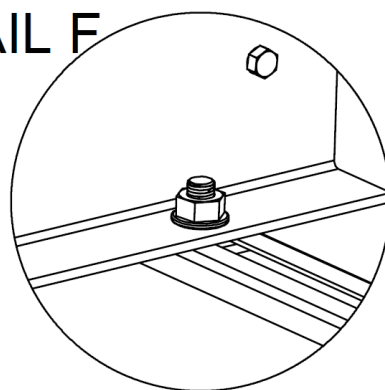


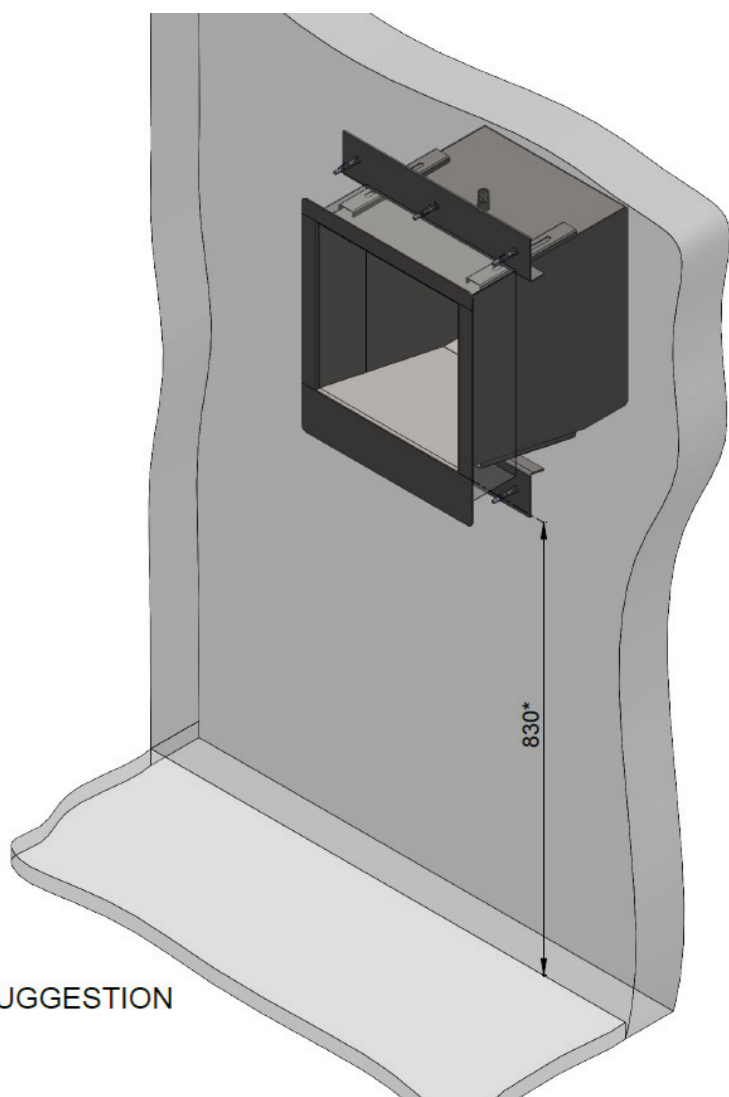
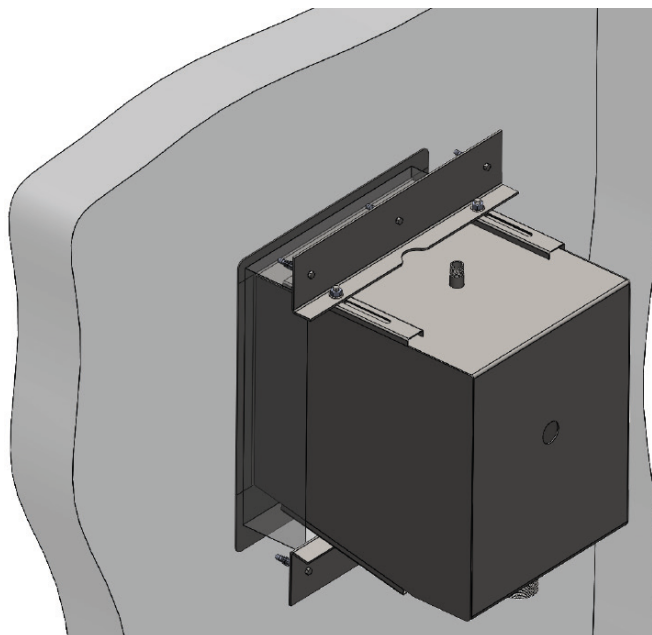
- Mounting Instructions





DETAIL F





*
SUGGESTION