

Universal Voltage:

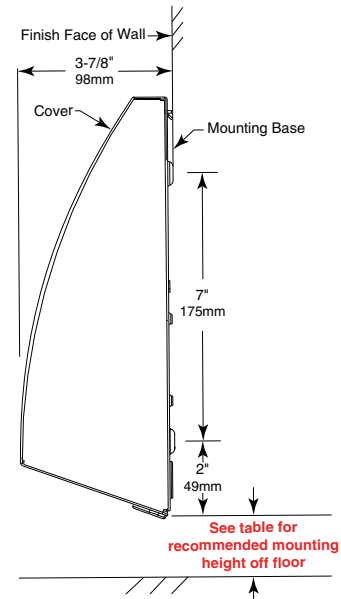
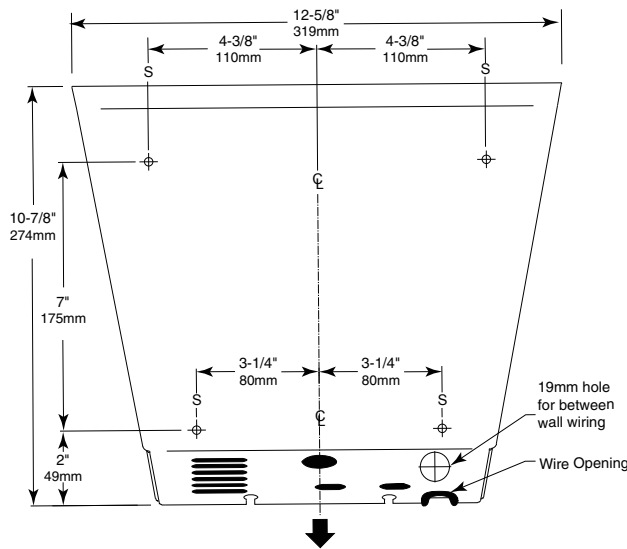
- 110V-240V, 0.8-1.9 AMP, 50/60 Hz, 202-213 Watts, cULus Listed and CE marked.

***RECOMMENDED MOUNTING HEIGHTS**

Children's Washrooms, ages 3-4	36"	(915mm)
Children's Washrooms, ages 5-8	40"	(1015mm)
Children's Washrooms, ages 9-12	44"	(1120mm)
Universal Design	40" - 48"	(1015 x 1219mm)



*Bottom screw hole of mounting base to face floor



MATERIALS:

Cover — 18-8, Type-304 stainless steel 1.2mm thick with #4 satin-finish vertical grain. Air-inlet is vandal-resistant. Cover projects no more than 4" (100mm) from wall and is secured to mounting base with two recessed socket button head cap screws.

Mounting Base — 1.5mm SECC punched and formed.

Motor — Brushless 24Vdc with built in thermal protection. Ball bearings. Operates at 40,000 RPM.

Blower — Backward curved radial bladed impeller in polycarbonate housing.

Electronic Control — Infrared sensor automatically turns dryer on when hands are held under air-outlet opening and across path of sensor. Remove hands from path of sensor and dryer stops. Electronic sensor has automatic shutoff approximately 85 seconds after dryer turns on if an inanimate object is placed across air-outlet opening. After inanimate object is removed, electronic sensor automatically resets itself and dryer operates normally.

continued . . .

OPERATION:

Infrared sensor automatically turns dryer on when hands are held under air-outlet opening and across path of sensor. Remove hands from path of sensor and dryer stops. Electronic sensor has automatic shutoff approximately 85 seconds after dryer turns on if an inanimate object is placed across air-outlet opening. After inanimate object is removed, electronic sensor automatically resets itself and dryer operates normally.

5-Year Limited Warranty — In addition to Bobrick's one-year guarantee, Bobrick extends a limited 5-year warranty from the date of purchase on all parts for model B-7125. This warranty is limited to the repair or exchange of defective parts at the option of Bobrick and is only extended to the original owner of the installed unit against defects in factory workmanship or material under normal use and service.

INSTALLATION:

Wall preparation — Locate mounting base on wall using template provided. For brick, stone, and concrete walls drill four 0.315" (8mm) holes to suit provided wall plugs 0.315" x 1-1/4" (8 x 45mm) and screws # 10 x 2" (4.8 x 50mm) long. See template for wall plug and screw installation details. For plaster or dry wall construction, provide concealed backing to comply with local building codes and secure with four #10 (4.8) round-head sheet-metal screws or 3/16" (5mm) toggle bolts (not furnished). Provide electrical service from nearest distribution panel to dryer mounting base in conformance with local electrical codes.

Dryer Wiring Instructions:

1. For 115-Volt Dryers — Connect ground wire to ground terminal marked \perp , the black or hot wire to terminal marked L1, and neutral or white wire to terminal marked N.

2. For 208–240-Volt Dryers — Connect ground wire to ground terminal marked \perp and the 208- or 240-volt wires to terminal marked L1 and L2.

3. This is a class 1 product and requires grounding.

Notes: Electronic sensor in Automatic dryers will pick up movement within 6" (150mm) of the air-outlet opening. Use caution when choosing location for Automatic dryers in confined areas. Consider proximity to doorways and other traffic areas. Bobrick automatic hand dryers should be installed at least 19-3/4" (500mm) above any projection or horizontal surface which may interfere with the operation of the automatic sensor.

Replacement Parts:

Cover	7125-150
Controller	7125-25
Controller Loom (Wiring)	7125-30

SAFETY WARNING:

Installation and wiring must conform to current local regulations and building codes. Unit must be installed by a qualified electrician. Turn off electrical power supply before making electrical connections. If the unit fails or malfunctions, it should be disconnected from the power supply and a qualified electrician should be called. To avoid potential injury, the building owner or maintenance personnel should remove the unit from service if the grille is missing or damaged.

SPECIFICATION:

Surface-mounted high-speed hand dryer shall have an energy consumption of only 200 watts. Unit shall have 18-gauge (1.2mm) thick Type-304 stainless steel cover with #4 satin finish vertical grain. The slim profile cover shall project no more than 3 7/8" (98mm) from the finished face of wall to comply with accessible design guidelines (including ADAAG in the U.S.A.) and have a dry time of less than 12 seconds. Dryer shall be universal, to accommodate voltages between 110-240V. Dryer shall be secured to concealed mounting bracket with vandal-resistant screws. Electronic sensor automatically turns dryer on when hands are held under air-outlet opening and across path of sensor. Dryer turns off automatically when hands are removed. Sensor automatically shuts dryer off approximately 85 seconds after dryer turns on if an inanimate object is placed across air-outlet opening. After object is removed, electronic sensor automatically resets itself and dryer operates normally. Unit is cULus listed and is CE marked. Dryer has a limited 5-year warranty on all parts.

InstaDry Surface-Mounted Automatic Hand Dryer shall be Model B-7125 of Bobrick Washroom Equipment, Inc., Clifton Park, New York; Jackson, Tennessee; Los Angeles, California; Bobrick Washroom Equipment Company, Scarborough, Ontario; Bobrick Washroom Equipment Pty. Ltd., Australia; and Bobrick Washroom Equipment Limited, United Kingdom.