



Technical Data

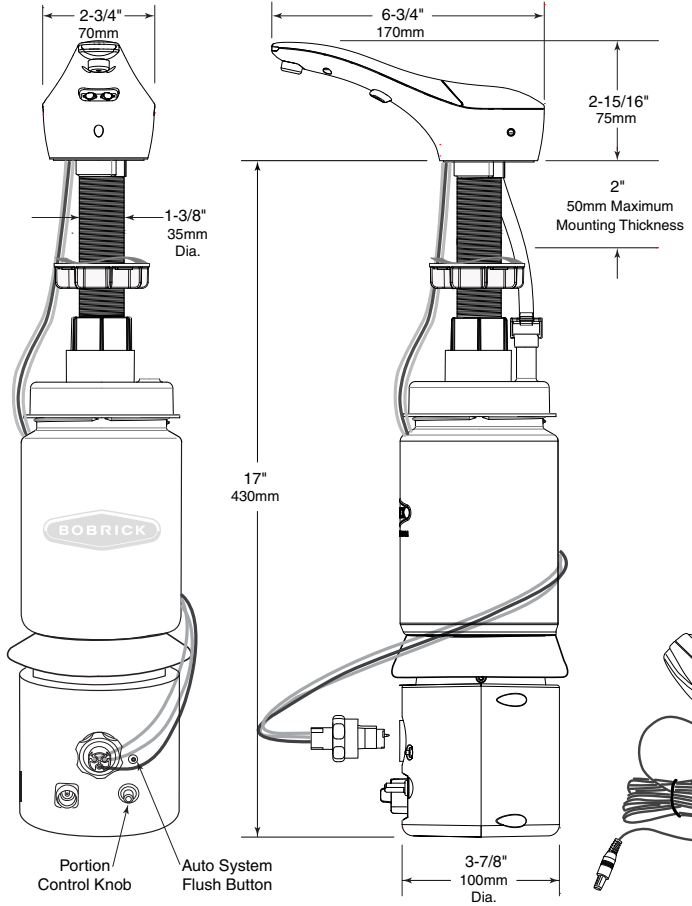
**Designer Series™
COUNTER-MOUNTED
AUTOMATIC LIQUID
SOAP DISPENSER**

**B-85
SERIES**

- Specify Finish Required:
- B-850 Polished Brass
 - B-852 Matte Black
- B-855 Brushed Nickel
 - B-856 Polished Nickel
 - B-858 Polished Chrome



Patents Pending



MATERIALS:

Spout and Stem Assembly — Above the counter - durable die cast zinc, available in five finishes:

Finish Type	Liquid
Polished Brass	B-850
Matte Black	B-852
Brushed Nickel	B-855
Polished Nickel	B-856
Polished Chrome	B-858

Unit equipped with a spring loaded 180° rotatable lid with concealed locking mechanism for top filling. Rotatable lid mechanism consists of metal components. Integrated to Spout are a grey plastic Dispense Tip and Activation Lens Housing. Delrin Stem connects to Plastic Bottle.

continued . . .