





## ACCESSIBILITY

Access is a right for people with reduced mobility. Architectural and technical provision must be made to allow everyone, disabled people, the elderly and those with reduced mobility, to **maintain maximum independence** in their day-to-day life.

In particular, they must have **easy access to all public places** such as civic buildings, cultural centres, hospitals, shops, buildings with communal living, individual housing...

## THE DELABIE SOLUTION

The DELABIE Group through its Accessibility and Independence – Hygienic Accessories range delivers **a complete range** of grab bars and rails as well as accessories (shower seats, soap dispensers, coat hooks, hand dryers, etc.). Hence **facilities can be adapted** to meet the specific needs of all users, regardless of their age or level of independence.

This guide provides recommendations and advice for the correct installation of our products.

However, the information is provided for guidance only. **The information and installation advice must be adapted to the appropriate regulations where they exist (e.g. installation height, length, number of products and accessible facilities, layout, etc.). These may vary considerably from country to country.**

In order to meet these requirements, **sanitary installations** such as shower cubicles, changing rooms, wash basins and toilets should be adapted to ensure that they are suitable for disabled people.

**For DOC M recommendations see pages 161-169.**

### WCs

Every building providing public toilets facilities should incorporate a toilet that is accessible **by wheelchair users** and **an accessible washbasin** on every floor that has public access.

Disabled toilets should be installed near to non-disabled toilets so that they are grouped together.

If there are separate toilets for each sex, a disabled toilet should be available for each sex. Washbasins, or at least one washbasin per group of washbasins, should be accessible by disabled people, as well as the various fittings, especially **mirrors, soap dispensers and hand dryers.**

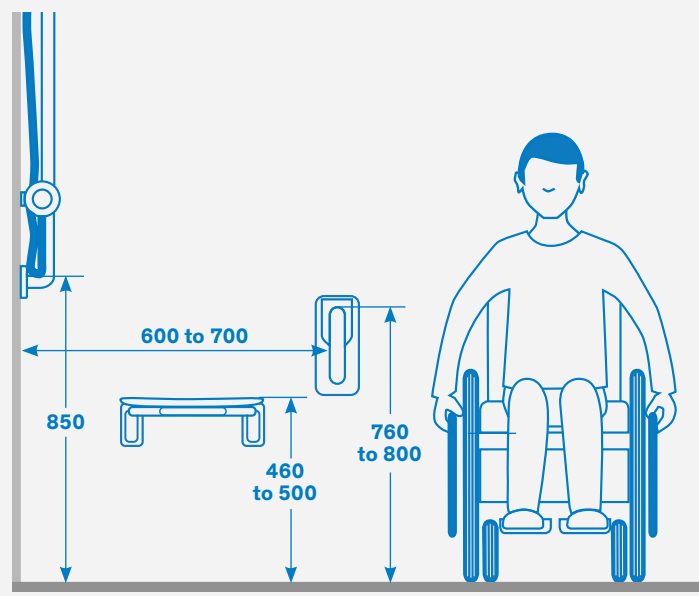
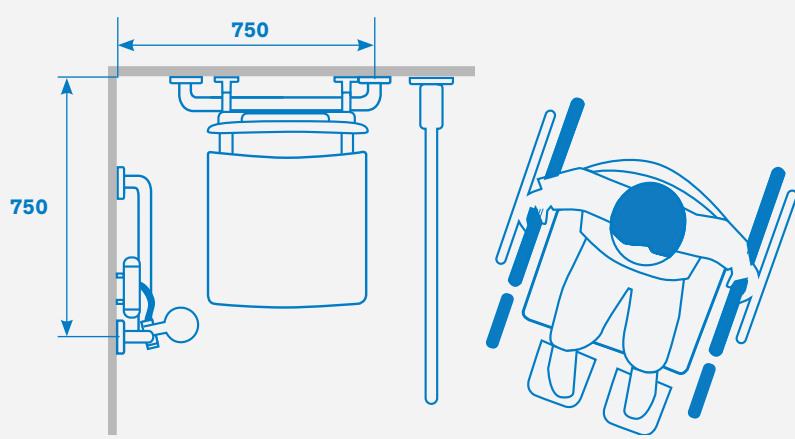
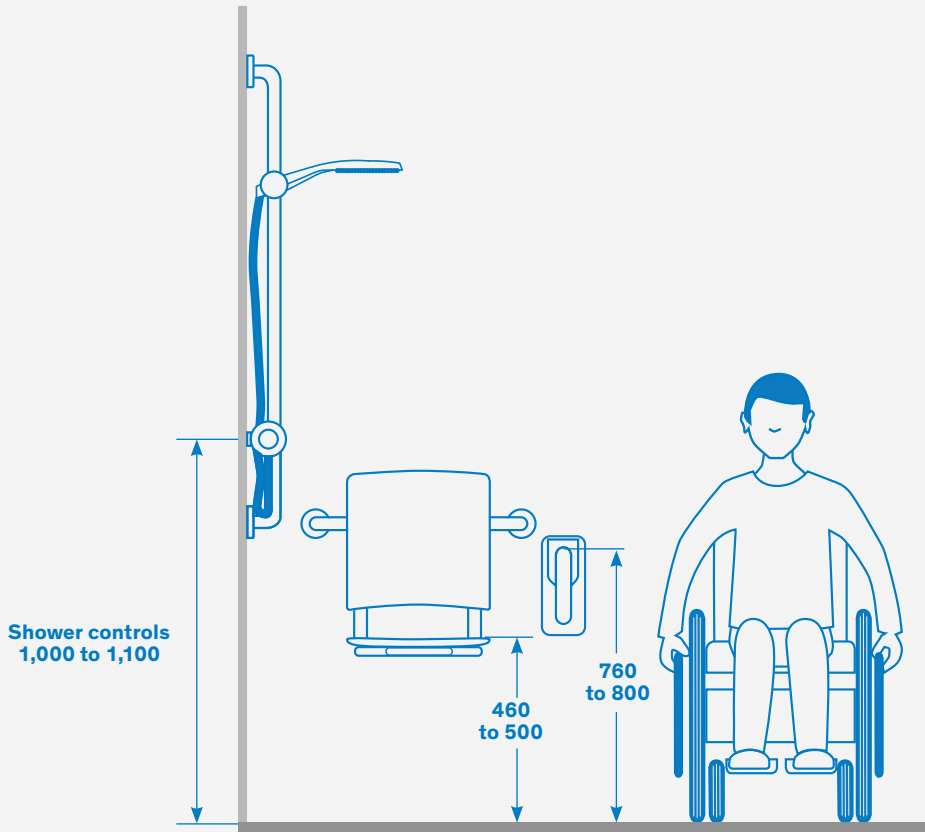
### Buildings with accommodation

All buildings that provide accommodation for the public must also provide rooms that are suitable for disabled use and that can be occupied by a person in a wheelchair.

Ratio of adapted rooms in relation to the total number of bedrooms in the building	
Up to 20 rooms	1 room
Up to 50 rooms	2 rooms
More than 50 rooms	1 additional room for every 50 rooms

### Buildings accommodating older people or people with a motor disability

All bedrooms or accommodation, bathrooms, showers and toilets must be suitable for disabled people.



## SHOWERS

In buildings that provide showers or changing rooms (swimming pools, hotels, hospitals, retirement homes, etc.) showers should incorporate in principle:

- Equipment enabling people to sit down and access to a support when seated or standing: **a removable or lift-up shower seat, support bars with a vertical bar and drop-down support rails.**
- **A free space - known as a utility space (0.80m x 1.30m)** - next to the equipment, providing easy access for wheelchair users.
- Equipment accessible from the seated position: **coat hooks, adapted taps, hair dryers, mirrors, sliding shower head holders, etc.**
- A floor trap.

We recommend installing a thermostatic mixer - or a tap with a maximum temperature limiter - with a cool-touch body and ergonomic long lever (**see our catalogue - Water Controls for Hospitals**).

## CHANGING ROOMS

Changing rooms should similarly provide a seat with suitable support bars as well as a utility space 1,500mm in front of the lockers.

The various accessories should be equally accessible e.g. coat hooks and mirrors.

For DOC M recommendations see pages 161-169.

## Examples of suitable products



**Removable shower seat to hang on grab bars**  
Ref. 510300N



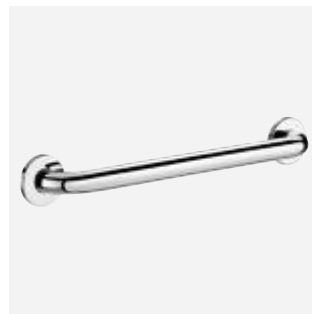
**Removable lift-up Be-Line® shower seat**  
Ref. 511920C



**Drop-down support rail**  
Ref. 5160N



**Be-Line® two-wall grab bar with vertical bar**  
Ref. 511949C



**Straight grab bars 300 - 900mm**  
Refs. 5050, 50504, 50505...



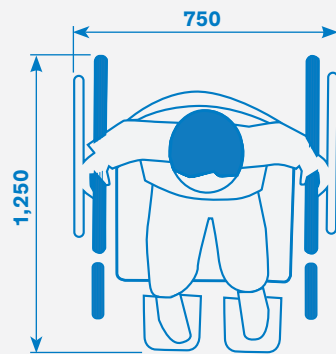
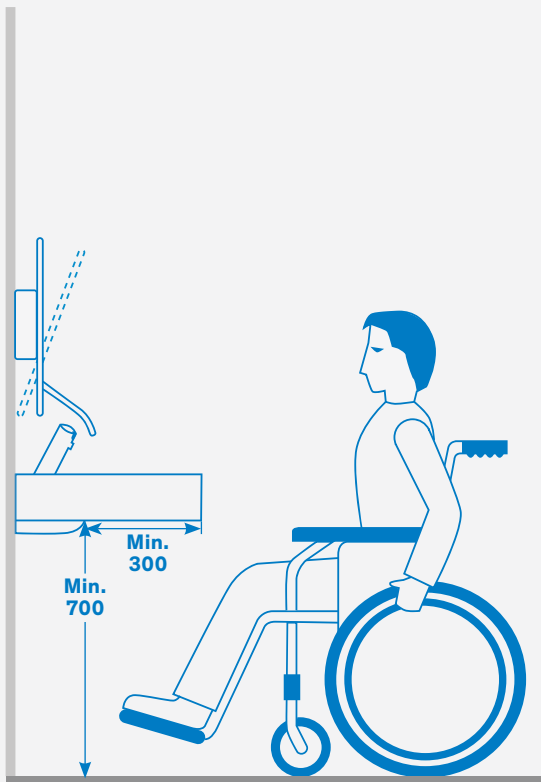
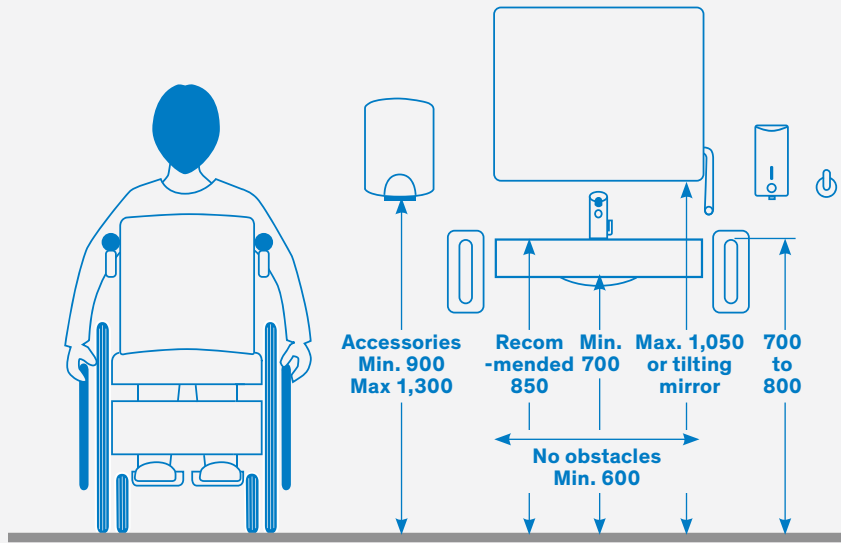
**Sliding shower head holder and sliding soap dish**  
Refs. 4110P and 510120



**Thermostatic mixer**  
Ref. H9741



**Slimline shower tray**  
Ref. 150500



Standard dimensions for a wheelchair

## WASHBASINS

Disabled WCs should incorporate **specific washbasins**.

The top of the washbasin should be installed at the recommended height of 850mm and there should be a free area at least 300mm deep, at a height of 700mm, underneath the washbasin to allow easy access for wheelchair users.

Other equipment such as **hand dryers, soap dispensers and taps** should be accessible for users in a seated position and placed at a height between 900 and 1,300mm.

**A mirror** should also be installed. If the mirror does not tilt, the lower edge should be fixed at a maximum height of 1,050mm. **Grab bars** or a **washbasin support frame** may be added.

We recommend installing an electronic or soft-touch time flow tap; or a tap with an ergonomic lever, with a maximum temperature limiter (see our catalogues **Commercial Water Controls, Water Controls for Hospitals and Stainless Steel Sanitary Ware**).

For DOC M recommendations see pages 161-169.

## Examples of suitable products



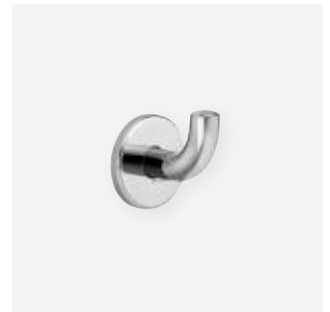
**Wall support rail**  
Ref. 510161P



**Tilting mirror with long, ergonomic lever**  
Ref. 510201N



**Electronic soap dispenser**  
Ref. 512066P



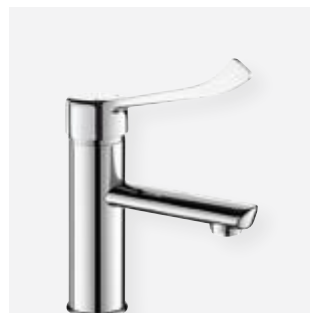
**Coat hook**  
Ref. 4043P



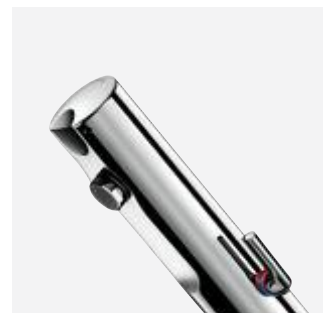
**HIGHFLOW air pulse hand dryer**  
Ref. 510622



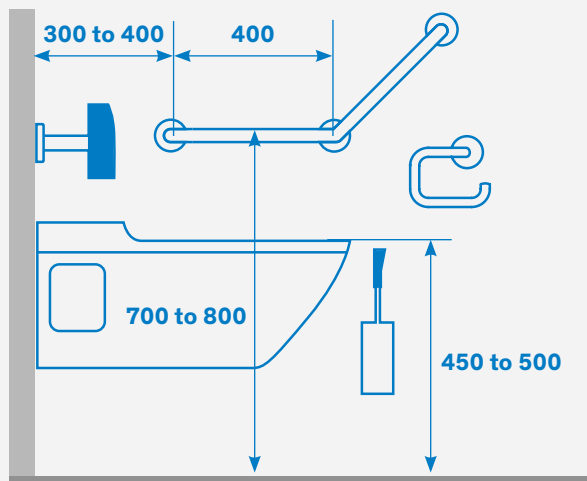
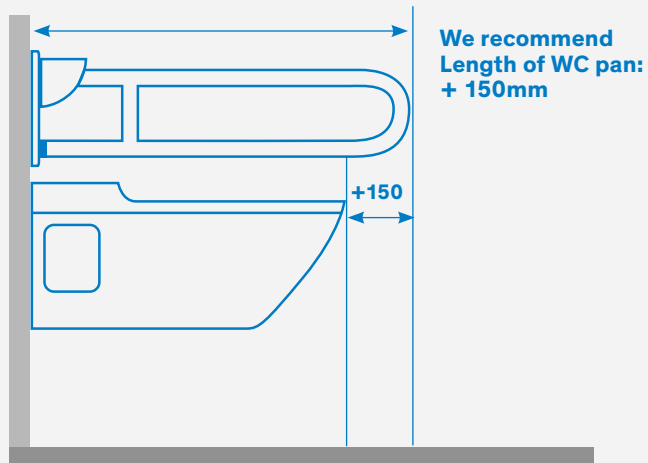
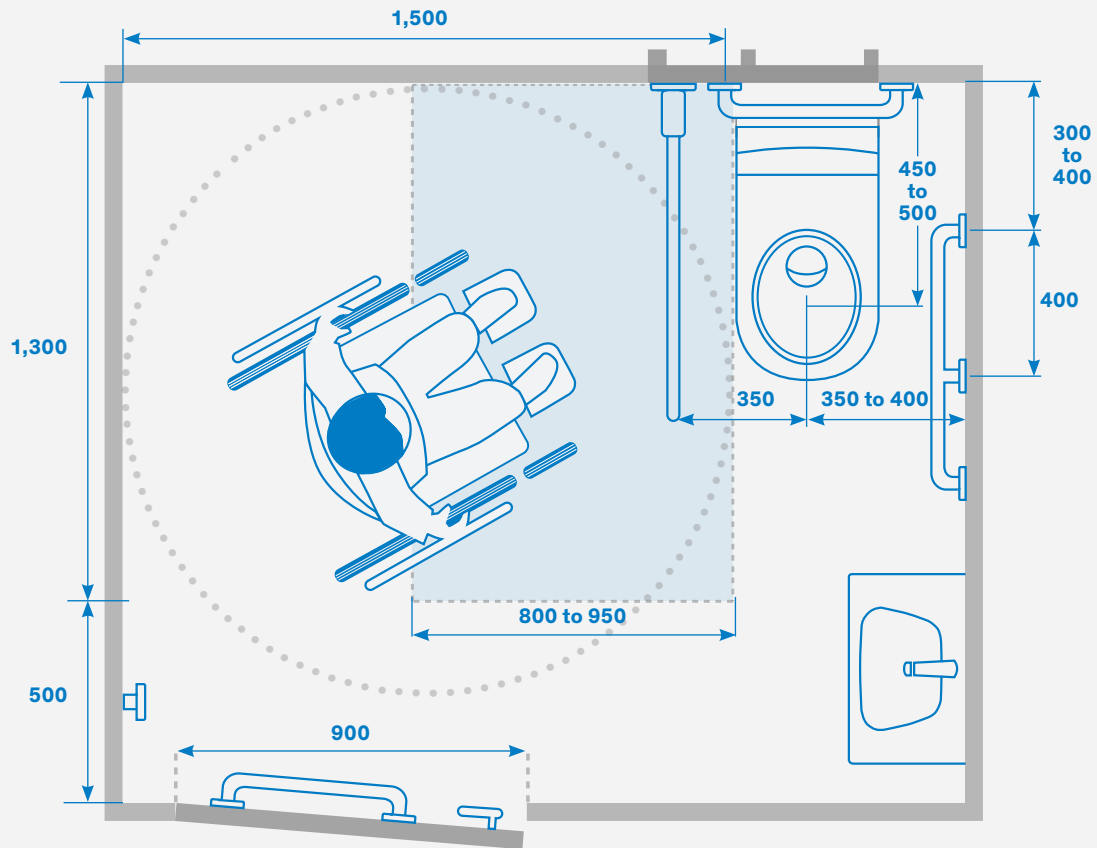
**MINERALCAST PMR washbasin**  
Ref. 132306



**Long lever mixer**  
Ref. 2721L



**Electronic mixer**  
Ref. 490006





## WCs

In toilets, a utility space for turning and manoeuvring should be envisaged during construction.

The toilet seat should be installed between 450 and 500mm from the floor and **at least one support bar**, to allow wheelchair users to transfer to the toilet seat, should be installed at a height between 700 and 800mm. The support bars and their fixings should be able to withstand the full weight of an adult.

**A drop-down support rail** will facilitate side access. We recommend that the length of the support bar should equal that of the WC pan plus approximately 150mm. If the toilet does not have an exposed cistern, a backrest should be included to avoid any risk of the user falling backwards.

**A rectangular space to manoeuvre, at least 800 × 1,300mm** should be provided next to the WC pan and a **turning space of 1,500mm** should also be provided to allow a wheelchair to turn through 180 degrees.

We recommend mounting a **400mm grab bar** on the back of the door to help with closing/opening.

An electronic flush is ideal for disabled toilets.

A washbasin equipped with an electronic or time-flow tap/mixer valve with soft-touch operation, or ergonomic control lever, and with a temperature limiter must be installed (see our catalogues **Commercial Water Controls, Water Controls for Hospitals and Stainless Steel Sanitary Ware**).

For DOC M recommendations see pages 161-169.

## Examples of suitable products



**Drop-down support rail**  
Ref. 510164P



**Grab bar 135°**  
**400 × 400mm**  
Ref. 5082P



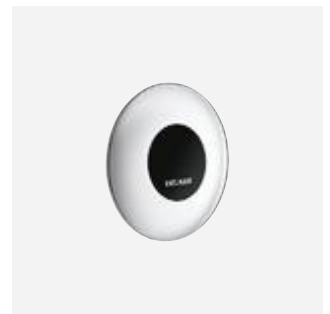
**Be-Line® straight grab bars**  
**300 - 900mm**  
Ref. 511903, 511904...



**WC with 700mm pan**  
Ref. 110710



**Frame system dual control**  
**electronic WC**  
Ref. 564065 + 464006



**TEMPOMATIC WC**  
**cross wall flush**  
Ref. 463150



**Ergonomic toilet brush set**  
Ref. 510051P



**PMR XS washbasin**  
Ref. 120400